

FriendlyPressure

Bespoke Loudspeaker Systems
London, UK



Pickney Loudspeakers
The Guide

—

FriendlyPressure
Full Colour FP-PN1

At Friendly Pressure, we blend timeless design aesthetics with cutting-edge production techniques. The result: future heirlooms with a distinctive character.

We are proud to introduce our flagship speaker line, the Full Colour Stereo. A deeply personal design endeavour inspired by the vibrant culture and aesthetic sensibility of 80s and 90s London.

With the Full Colour Stereo series, founder Shivas Howard Brown set out to rekindle the lively city-scenes of backyard barbecues in full swing. Doors and windows flung wide open, Dad's speakers blasting the likes of Wookie and Marvin Gaye, with family and friends flooding in through the front door and neighbours congregating over the back fences.

The name itself embodies the essence of our quest: full colour, high vibrations.



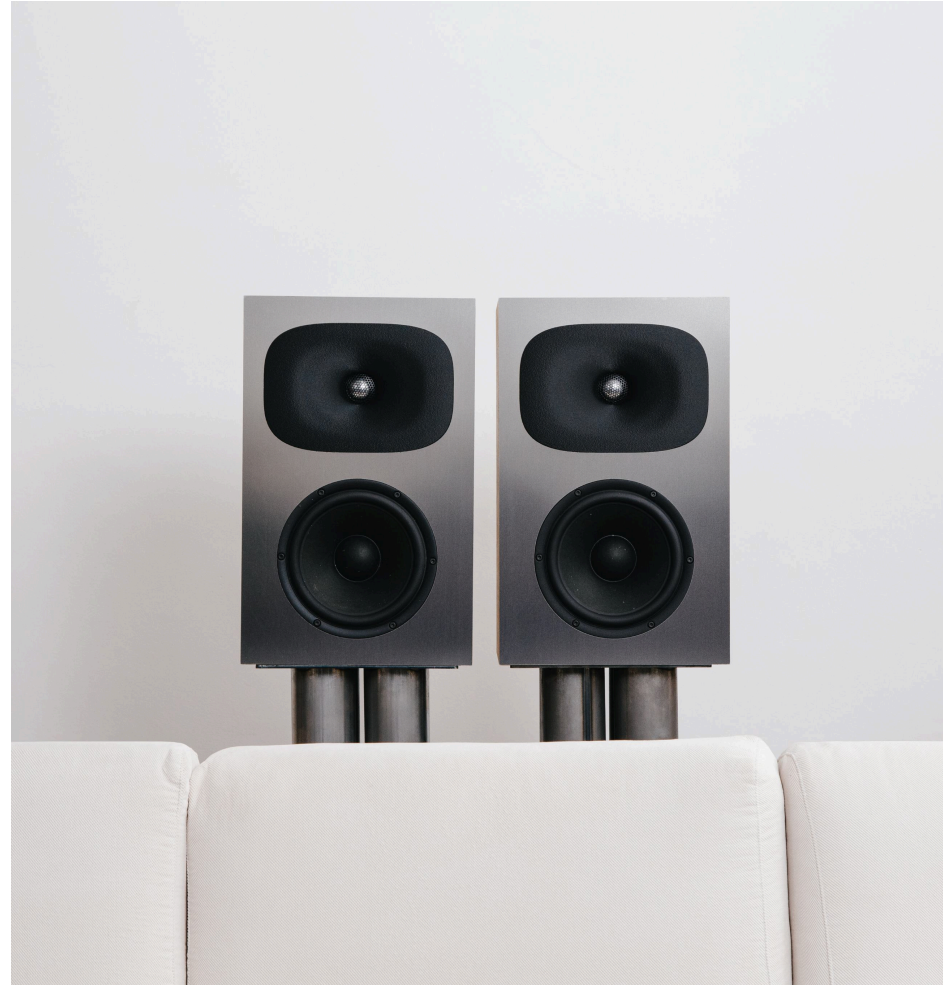
FriendlyPressure
Full Colour FP-PN1

The FP Pickney Loudspeakers

In patois, "Pickney" means child, and this model is the junior one in the Friendly Pressure family of Full Colour Stereos. With a smaller footprint than traditional large-format loudspeakers, the FP Pickney brings the bold, dynamic sound of horn speakers to a compact and versatile form. Designed to seamlessly integrate into any home, these speakers deliver high-fidelity with a distinctive aesthetic sensibility.

At the heart of the Pickney sound is our signature waveguide horn. By reimagining a traditional tweeter, we broaden the soundstage and enhance dynamics, delivering the rich, articulate horn sound that defines our entire FP range.

Our mission with Pickney was to create a speaker that fits effortlessly into any room without sacrificing sonic performance.



The FP Pickney Loudspeakers

In patois, "Pickney" means child, and this model is the junior one in the Friendly Pressure family of Full Colour Stereos. With a smaller footprint than traditional large-format loudspeakers, the FP Pickney brings the bold, dynamic sound of horn speakers to a compact and versatile form. Designed to seamlessly integrate into any home, these speakers deliver high-fidelity with a distinctive aesthetic sensibility.

At the heart of the Pickney sound is our signature waveguide horn. By reimagining a traditional tweeter, we broaden the soundstage and enhance dynamics, delivering the rich, articulate horn sound that defines our entire FP range.

Our mission with Pickney was to create a speaker that fits effortlessly into any room without sacrificing sonic performance.





Product Details

Each Pickney loudspeaker is designed, developed, hand-assembled, and finished in London. From start to finish, every unit is crafted with care to ensure exceptional performance and build quality, blending premium sound with a signature design aesthetic.

TIMELESS CUSTOM CABINETS

Pickney cabinets are available in walnut or oak, with a choice of raw or matte-oiled finishes. Our use of two different Osmo oils provides four distinct shades, ensuring that these speakers complement any interior. Whether you want a natural, earthy look or something sleek and modern, the FP Pickney allows for easy visual integration into your space.



WALNUT



OAK

PRECISION-TUNED CROSSOVERS

Our crossover design ensures phase accuracy, delivering a wide listening field and preserving the energy of your music. Simplicity is key: our crossover reduces energy loss, so you'll hear every detail from high-resolution tracks, while even compressed streams maintain clarity and richness. Whether you're streaming from Spotify or playing high-res files, Pickney brings out the best in your music.

AUDIO PERFORMANCE ACROSS GENRES

The FP Pickney is engineered to deliver beautifully detailed mids, crystal-clear highs, and deep, textured bass, making it a versatile choice for any genre. Whether it's jazz, classical, rock, or electronic, Pickney brings each track to life with accuracy and presence.

EASY PAIRING: BLUESOUND POWERNODE EDGE

To complete the experience, we've paired the FP Pickney with the Bluesound Powernode Edge, a Wi-Fi streamer and amplifier that's unbeatable in both price and performance. With its warm, rich sound and discrete design, the Powernode Edge supports virtually any streaming service—including our favorite, TuneIn Radio's NTS Channel 1.



Product Details

Each Pickney loudspeaker is designed, developed, hand-assembled, and finished in London. From start to finish, every unit is crafted with care to ensure exceptional performance and build quality, blending premium sound with a signature design aesthetic.

TIMELESS CUSTOM CABINETS

Pickney cabinets are available in walnut or oak, with a choice of raw or matte-oiled finishes. Our use of two different Osmo oils provides four distinct shades, ensuring that these speakers complement any interior. Whether you want a natural, earthy look or something sleek and modern, the FP Pickney allows for easy visual integration into your space.



WALNUT



OAK

PRECISION-TUNED CROSSOVERS

Our crossover design ensures phase accuracy, delivering a wide listening field and preserving the energy of your music. Simplicity is key: our crossover reduces energy loss, so you'll hear every detail from high-resolution tracks, while even compressed streams maintain clarity and richness. Whether you're streaming from Spotify or playing high-res files, Pickney brings out the best in your music.

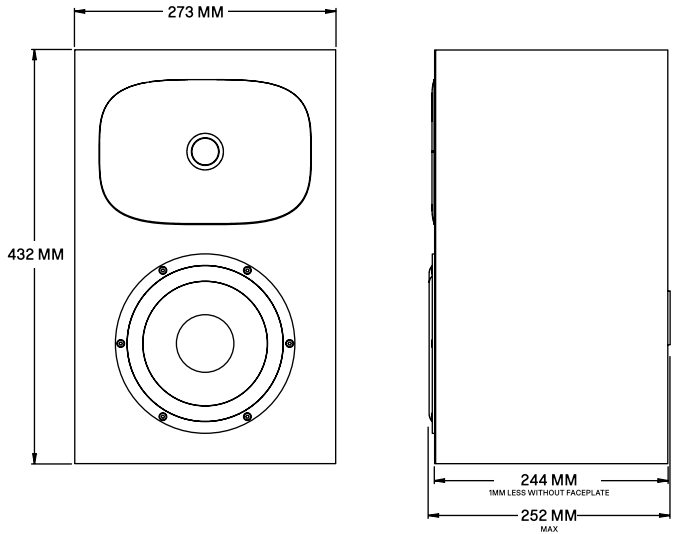
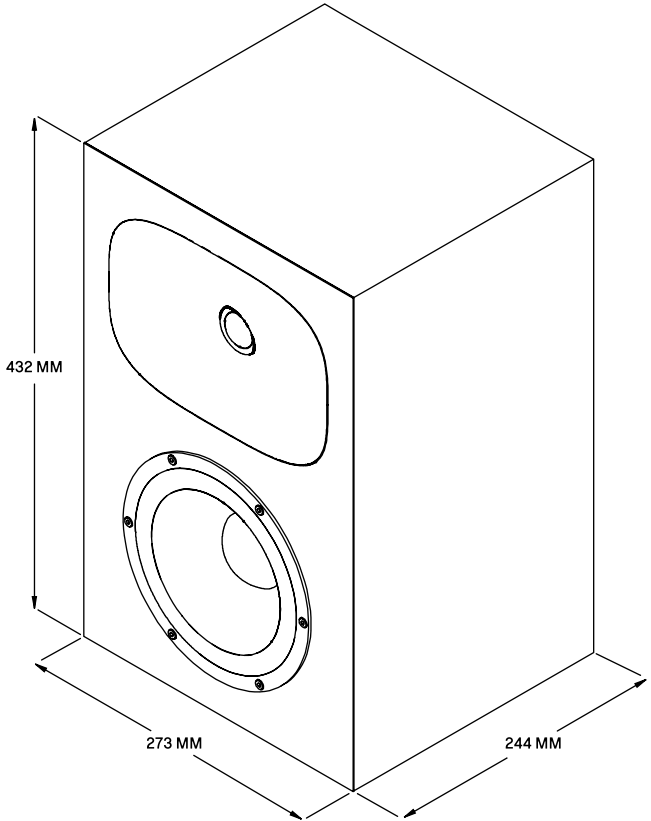
AUDIO PERFORMANCE ACROSS GENRES

The FP Pickney is engineered to deliver beautifully detailed mids, crystal-clear highs, and deep, textured bass, making it a versatile choice for any genre. Whether it's jazz, classical, rock, or electronic, Pickney brings each track to life with accuracy and presence.

EASY PAIRING: BLUESOUND POWERNODE EDGE

To complete the experience, we've paired the FP Pickney with the Bluesound Powernode Edge, a Wi-Fi streamer and amplifier that's unbeatable in both price and performance. With its warm, rich sound and discrete design, the Powernode Edge supports virtually any streaming service—including our favorite, TunesIn Radio's NTS Channel 1.

FriendlyPressure
Full Colour FP-PN1



Specifications

LOUDSPEAKER

7.5" Papyrus / paper blended mid woofer
Aluminium dome tweeter
3D printed waveguide
Film Capacitor crossover @ 1800 Hz

Height 432 MM
Width 273 MM
Depth 244 MM
245 MM WITH FACEPLATE
252 MM WITH TWEETER
NT. WT. 10.6 KG / EA

AMPLIFIER

60 W per channel
1x Optical Input
1x Analogue Input
Wi-Fi connection always recommended
Bluetooth connectivity available

SHIPPING INFORMATION

A pair of Pickney loudspeakers ship in one box, totalling:

Height 531 MM
Width 400 MM
Depth 779 MM
NT. WT. 25 KG

* Due to ongoing research and development in our studio, specifications are subject to change without prior notice.

FriendlyPressure

Bespoke Loudspeaker Systems
London, UK



E-mail hi@friendlypressure.studio
Shop <https://friendlypressure.studio>